



Baby Doll Top

This one shoulder top is perfect for a romantic dinner in classic black and white with wine trim. Make it in other colors for a different but just as stunning look.

LW2402



INTERMEDIATE

Designed by Double Stitch.

Directions are for size **Small**; changes for sizes **Medium** and **Large** are in parentheses.

To fit bust: 32 (36, 40)"
Finished Bust: 27 (30³/₄, 34¹/₂)"
Finished Length: 17³/₄ (18¹/₄, 18³/₄)"

Note: Top is designed to fit snugly, with negative ease. Fit can be customized with back panel.

RED HEART® "Soft": 1 (1, 1) ball each 4600 White **A**, 4608 Wine **B** and 2 (2, 2) balls 4614 Black **C**.

Crochet Hook: 5.5mm [US I-9]
7" zipper in color to match **C**, sewing needle and matching thread, stitch markers, yarn needle, hook-and-eye closure.

GAUGE: 14 sts = 4"; 11 rows = 4" in hdc. **CHECK YOUR GAUGE. Use any size hook to obtain the gauge.**

SPECIAL ABBREVIATION

Hdc2tog = (Yarn over, insert hook into next st, yarn over and pull up loop] 2 times, yarn over and draw through all loops on hook.

BODICE

With **A**, ch 83 (91, 99).

Row 1: Hdc in 2nd ch from hook and in each ch across, turn—82 (90, 98) hdc.

Row 2: Ch 2 (counts as hdc), hdc in each hdc across, turn. Repeat Row 2 until piece measures 6 (6 1/2, 7)" from beginning. Fasten off.

Band

Row 1: With right side facing, join **B** in first st, ch 1, sc in each st across, turn.

Rows 2-4: Ch 1, sc in each sc across, turn. Fasten off at end of Row 4.

Skirt

Row 1: With right side facing, join **C**, ch 2 (counts as dc), dc in next 23 (28, 32) sts, *[3 dc in next sc, dc in next 2 sc] 5 times, dc in next 4 sc; repeat from * once more, dc to end—102 (110, 118) dc.

Rows 2-10: Ch 3 (counts as tr), tr in each st across, turn.

Row 11: Ch 3 (counts as tr), tr in each st across, changing to **B** on last st, turn. Cut **C**.



©2010 Coats & Clark
P.O. Box 12229
Greenville, SC 29612-0229

For more ideas & inspiration -

www.redheart.com

www.crochettoday.com www.knittingtodaymag.com

doublestitch twins

Ruffle

Row 1: With **B**, ch 3 (counts as hdc), hdc in next 5 (1, 3) tr, *2 hdc in next tr, hdc in next 5 tr; repeat from * across, turn—118 (128, 137) sts.

Rows 2: Ch 2 (counts as dc), 3 dc in each hdc to last st, dc in last hdc, turn—350 (380, 407) dc.

Row 3: Ch 1 (counts as hdc), hdc in each dc across, changing to **C** on last st, turn.

Row 4: With **C**, ch 1, sc in each hdc across. Fasten off.

Left Back Panel

Row 1: With **C** and right side facing, join yarn at corner of ruffle on left back, ch 1 (counts as hdc), hdc 60 (61, 63) sts evenly spaced up left back, turn.

Rows 2-5 (7, 9): Ch 1 (counts as hdc), hdc in each hdc across, turn. Fasten off at the end of last row. Add more or fewer rows here and on right back panel to customize fit.

Right Back Panel

Row 1: With **C** and right side facing, join yarn at upper corner of right back, ch 1 (counts as hdc), hdc 60 (61, 63) sts evenly spaced down right back, turn. Complete as for Left Back Panel.

Insert zipper: Fold tabs at top of zipper to right side of zipper. Pin right side of zipper to wrong side of left and right back panels, placing top of zipper 1/4" below top edge. Sew in place with sewing needle and thread. With right sides of right and left back panels together, join **C** below bottom of zipper; single crochet through both back panels to create center back seam.

Shoulder Strap

Fold piece in half with zipper at center back. With front of top facing, measure 9 (9^{1/2}, 9^{3/4})" from right underarm fold; place marker to indicate beginning of shoulder strap placement.

Row 1: With **A**, join yarn at marked st, ch 1, hdc in next 9 sts, turn—9 hdc.

Rows 2-6: Ch 2 (counts as hdc), hdc in each hdc across, turn.

Rows 7-11: Ch 1, hdc2tog, hdc in each hdc across, turn—4 hdc.

Rows 12-18: Ch 1, hdc in each hdc across, turn.

Row 19: Ch 1, hdc2tog, hdc in next 2 hdc, turn—3 hdc.

Rows 20-31 (32, 33): Ch 1, hdc in each hdc across, turn. Fasten off at the end of Row 31 (32, 33), leaving a 20" tail.

Finishing

Try on top and pin strap to upper right back edge to fit. Using yarn tail, sew end of strap to back bodice.

With right side facing, join **A** at top of left back panel, ch 1, sc in each stitch along the top edge of bodice, along left side of shoulder strap, and along top of right back bodice and right back panel. Fasten off.

With right side facing, join **A** at back right corner of shoulder strap, ch 1, sc evenly along the right side of shoulder strap and along remaining top edge of bodice. Fasten off.

Sew hook-and-eye closure at top of zipper.

Shoulder Ruffles (Make 3)

Row 1: With **A**, ch 10, dc in 2nd ch from hook and in each ch across, turn.

Row 2: Ch 2 (counts as dc), 3 dc in each dc across, turn.

Row 3: Ch 2 (counts as dc), 3 dc in each dc across. Fasten off.

With **A**, sew first row of each ruffle vertically along wide base of shoulder strap.

Weave in ends.



Red Heart® "Soft", Art. E728 available in 5 oz (140 g), 256 yd (234 m) solids and 4 oz (113 g), 204 yd (187 m) prints.

ABBREVIATIONS: **A, B, C** = Color A, B, C; **ch** = chain; **dc** = double crochet; **hdc** = half double crochet; **mm** = millimeters; **sc** = single crochet; **st(s)** = stitch(es); **tr** = treble crochet; **[]** = work directions in brackets the number of times specified; *** or **** = repeat whatever follows the * or ** as indicated.



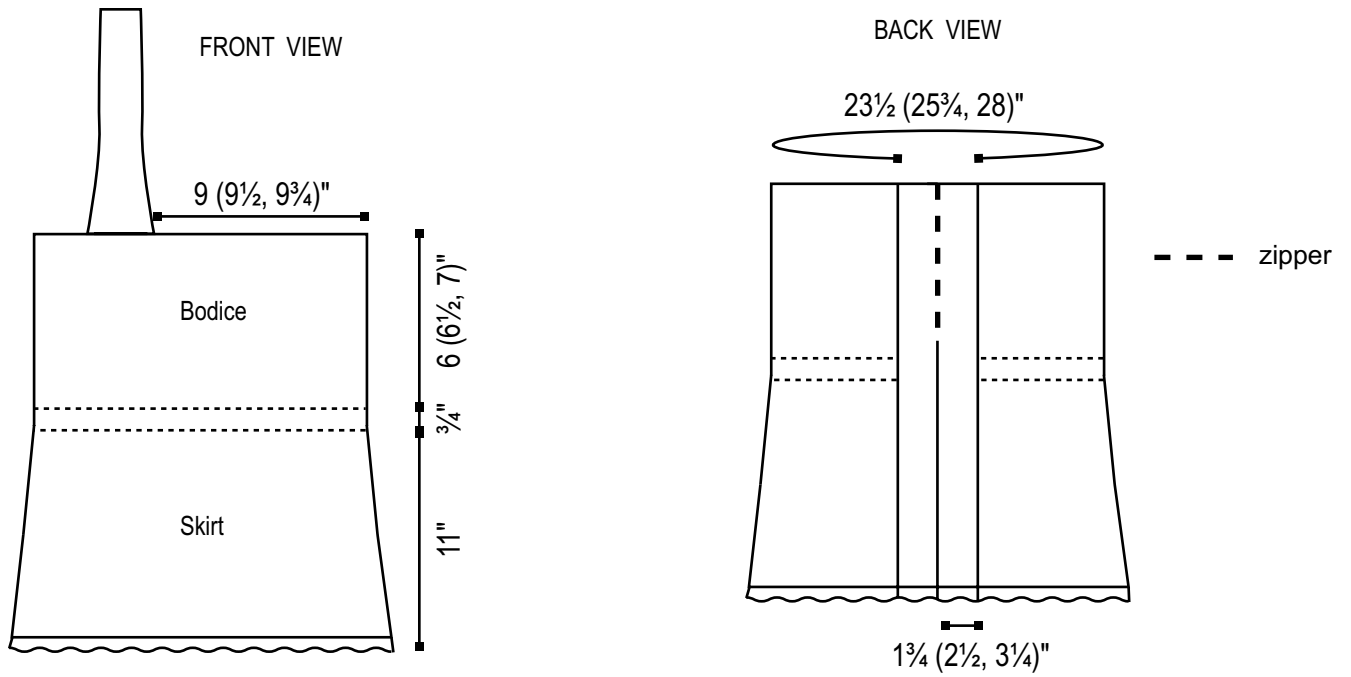
©2010 Coats & Clark
P.O. Box 12229
Greenville, SC 29612-0229

For more ideas & inspiration -

www.redheart.com

www.crochettoday.com www.knittingtodaymag.com

doublestitch twins



©2010 Coats & Clark
P.O. Box 12229
Greenville, SC 29612-0229

For more ideas & inspiration -
www.redheart.com

www.crochettoday.com www.knittingtodaymag.com