



Webby Sundress or Skirt

Get two garments in one — this clever frock can be worn as a sundress or a skirt.

LW2408



Designed by Double Stitch.

Directions are for size Small; changes for sizes Medium, Large, X-Large and XX-Large are in parentheses.

Finished Bust/Waist: 27 (32, 37, 42, 48)”.
Finished Length: 30”.

NOTE: This garment has a good amount of ease and measurements will change when worn.

STITCH NATION® “Bamboo Ewe™”: 1 Ball each 5625 Sprout A and 5705 Snapdragon B.

Crochet Hook: 5mm [US H-8].
Yarn needle, stitch marker.

GAUGE: 12 hdc = 4”; 12 rows = 4” using. **CHECK YOUR GAUGE. Use any size hook to obtain the gauge.**

SUNDRESS/SKIRT

With **A**, loosely ch 81 (97, 113, 129, 145), slip st in first st to form a ring. Place marker for beginning of round.

Round 1: Ch 1, hdc in each ch around, slip st in first ch to join – 80 (96, 112, 128, 144) sts.

Round 2: Ch 4 (counts as dc and ch 1 here and throughout), skip next hdc, [dc in next hdc, ch 1, skip next st] around, slip st in 3rd ch of beginning ch.

Rounds 3-7: Slip st to first ch-1 space, ch 4, [dc in next ch-1 space, ch 1] around, slip st in 3rd ch of beginning ch. Fasten off.

Round 8: Join **B** with a slip st in first ch-1 space, ch 4, dc in next ch-1 space, [ch 1, dc in next ch-1 space] around, ch 1, slip st in 3rd ch of beginning ch.

Round 9: Slip st to first ch-1 space, ch 4, [dc in next ch-1 space, ch 1] around, slip st in 3rd ch of beginning ch. Fasten off.

Round 10: Join **A** with slip st in dc, ch 2 (counts as hdc here and throughout), [hdc in next ch-1 space, hdc in next dc] around, slip st in top of beginning ch.

Round 11: Ch 11 (counts as dc and ch 8 here and throughout), [skip next 3 hdc, dc in next hdc, ch 8] around to last 3 hdc, skip 3 hdc, slip st in 3rd ch of beginning ch.

Rounds 12-17: Slip st to next ch-space, ch 11, [dc in next ch-8 space, ch 8] around, slip st in 3rd ch of beginning ch.

Round 18: Ch 8 (counts as dc and ch 5 here and throughout), dc in same ch-8 space, [ch 5, dc in next ch-8 space, ch 5, dc in same ch-8 space] around, slip st in 3rd ch of beginning ch. Fasten off.

Round 19: Join **B** with a slip st in ch-5 space, ch 8, [dc in next ch-5 space, ch 5] around, slip st in 3rd ch of beginning ch.

Round 20: Ch 3 (counts as dc here and throughout), work 4 dc in next ch-5 space, dc in next dc, [ch 5, skip next ch-5 space, dc in next dc, work 4 dc in next ch-5 space, dc in next dc] around to last ch-5 space, ch 5, skip ch-5 space,



©2010 Coats & Clark
P.O. Box 12229
Greenville, SC 29612-0229

For more ideas & inspiration -

www.redheart.com

www.crochettoday.com www.knittingtodaymag.com

doublestitch twins

slip st in top of beginning ch.

Round 21: Ch 8, [skip next 4 dc, dc in next dc, work 4 dc in next ch-5 space, dc into next dc, ch 5] around to last ch-5 space, dc in dc, 4 dc in ch-5 space, slip st in 3rd ch of beginning ch.

Fasten off.

Round 22: Join **A** in beginning ch, ch 3 (counts as dc), 4 dc in ch-5 space, [dc in dc, ch 5, skip 4 dc, dc in next dc, 4 dc in ch-5 space] around, slip st in top of beginning ch.

Round 23: Ch 3, [dc in next 5 dc, ch 5, skip ch-5 space, dc in next dc, ch 5, skip ch-5 space] around, slip st in top of beginning ch.

Round 24: Ch 2, [hdc in each dc, work 5 hdc in ch-5 space] around, slip st in top of beginning ch.

Round 25: Ch 3, work 2 dc in same space, dc in next st, [3 dc in next st, dc in next st] around, slip st in top of beginning ch.

Round 26: Ch 2, hdc in each st around, slip st in top of beginning ch.

Fasten off.

FINISHING

Chain Belt

Row 1: With right side facing and **B**, working along opposite edge of foundation ch, ch 100, beginning in any st, hdc in each st around to last 3 sts, leave last 3 sts unworked, ch 100.

Fasten off.

Row 2: With **A**, ch 100, hdc in each hdc, ch 100.

Fasten off.

Row 3: With **B**, repeat Row 2.

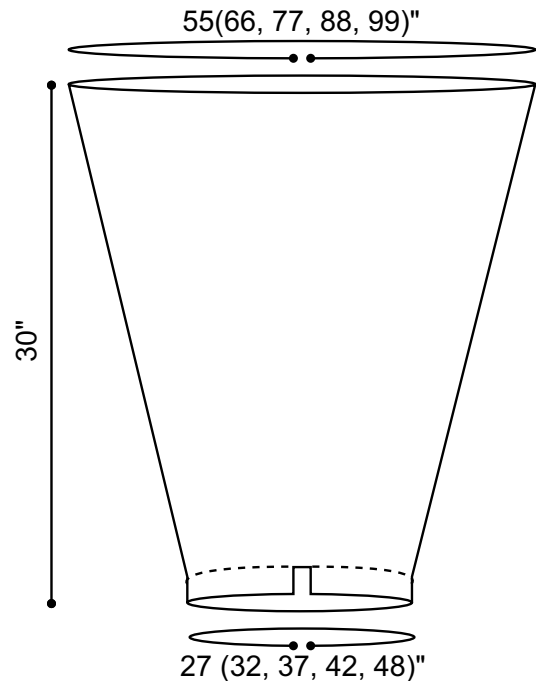
Row 4: With **A**, repeat Row 2.

Weave in ends.



STITCH NATION by Debbie Stoller™
"Bamboo Ewe™" Art. T101 available in
3.5 oz (100 g); 177 yd (162 m) balls.

Abbreviations: **A, B, C** = Color A, B, C; **ch** = chain; **dc** = double crochet; **hdc** = half double crochet; **mm** = millimeters; **sc** = single crochet; **st(s)** = stitch(es); **[]** = work directions in brackets the number of times specified.



©2010 Coats & Clark
P.O. Box 12229
Greenville, SC 29612-0229

For more ideas & inspiration -

www.redheart.com

www.crochettoday.com www.knittingtodaymag.com