



Two-Tone Baby Cardie

Just when you thought your baby couldn't be any more cuddly, along comes this super cuddly sweater. Knit in comfy yarn, it is easy-care, easy to put on and take off and perfect for keeping baby happy.

LW2990



EASY

Directions are for size 6 months. Changes for sizes 12 months, 18 months and 24 months are in parentheses.

RED HEART® Plush Baby™: 1 ball each 9935 Bluemint **A** and 9870 Blueberry **B**.

Knitting Needles: 5mm [US 8].
Six buttons, 7/16" diameter, stitch holders, yarn needle.

GAUGE: 16 sts = 4"; 24 rows = 4" in Stockinette Stitch.
CHECK YOUR GAUGE. Use any size needles to obtain the gauge.

Finished Measurements:

Chest: 19 (20, 21, 22)"

Length: 10 (11, 11 1/2, 12 1/2)"

Note: Cardigan knitted in one piece to armhole.

CARDIGAN

With **B**, cast on 72 (76, 80, 84) sts.

Knit 6 rows increasing 4 sts evenly on last row – 76 (80, 84, 88) sts.

Change to **A** and work in St st until piece measures 5½ (6, 6½)", ending with a wrong side row.

Change to **B** and knit 2 rows.

Divide for Armholes

Next Row: K57 (60, 63, 66) sts, slip remaining 19 (20, 21, 22) sts to stitch holder for Left Front, turn, k38 (40, 42, 44), slip remaining 19 (20, 21, 22) sts to stitch holder for Right Front.

Back

Working on center 38 (40, 42, 44) sts, work in Garter st with **B** until Armhole measures 4½ (5, 5½, 6)", ending with a wrong side row. Bind off.

Left Front

With right side facing, join **B** and work in Garter st on 19 (20, 21, 22) sts from Left Front stitch holder until Armhole measures same length as Back to shoulders. Bind off.

Right Front

Work as for Left Front.

SLEEVES

With **B**, cast on 23 (25, 27, 29) sts.

Knit 6 rows.

Change to **A** and work in St st, inc 1 st each side every 4th row 6 (7, 8, 9) times – 35 (39, 43, 47) sts.

When piece measures 5½ (6, 6½, 7)", change to **B** and Garter st. Work until piece measures 6½ (8, 9, 11)", ending with a wrong side row. Bind off.

FINISHING

Sew shoulder seams, leaving center 5" unsewn for Neck. Measure and mark 4½ (5, 5½, 6)" down from shoulders on Front and Back. Sew tops of Sleeves between markers. Sew side and Sleeve seams.





Button Band

With right side facing and **B**, pick up and k40 (44, 46, 50) sts along Front Edge.

Knit 2 rows.

Bind off.

Button Loop Band

Work as for Button Band along opposite Front edge.

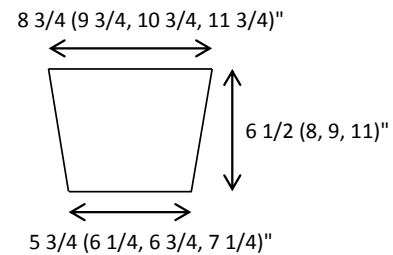
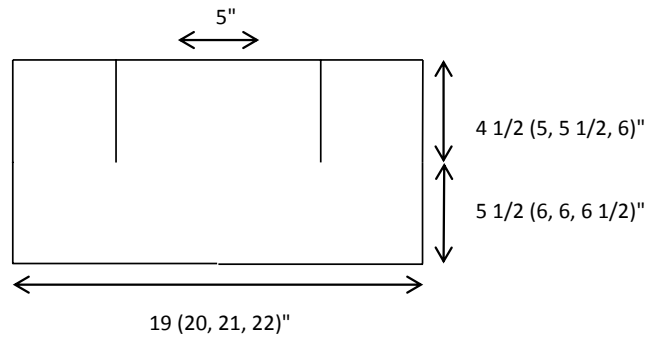
Button Loops (Make 6)

With **B**, cast on 8 sts. Bind off.

Sew one Button Loop at Front Neck Edge of each Front. Fold back Front edges and sew button opposite Button Loop on Front.

Sew remaining four Button Loops evenly spaced along Button Loop band from lower edge to beginning of garter st. Sew buttons opposite Button Loops.

Weave in ends.



(4 Medium) Red Heart® Plush Baby™, Art 796 available in solid color 3.5 oz (100g), 176 yd (161m) and multicolor 3 oz (85 g), 150 yd (137 m) balls.

Abbreviations: **A, B, C** = Color A, B, C; **k** = knit; **mm** = millimeters; **p** = purl; **St st** = Stockinette stitch; **st(s)** = stitch(es).

