



LW3075



EASY

crochet

Designed by Melissa Leapman

What you will need:

RED HEART® Super Tweed®: 6 (7, 7, 8, 8) skeins 7625 Camo

Susan Bates® Crochet Hook: 5.5 [US I-9] and 6 mm [US J-10]

Yarn needle

GAUGE: 12 sts and 9 rows = 4" (10 cm) in hdc. CHECK YOUR GAUGE. Use any size hook to obtain the gauge.

Buy Yarn



RED HEART® Super Tweed®, Art. E779, available in tweed 5 oz (141g), 266 yd (243m) skeins



Father Pullover

The man in your life will enjoy wearing this classic crew neck pullover. The ribbed pattern is easy to crochet, but looks like the work of an experienced crafter.

Directions for sweater are for men's size small. Changes for medium, large, X-large and XX-large are in parentheses.

Finished Measurements

Chest: 42 (46, 50, 54, 58)", [107 (117, 127, 137, 147) cm]

Total length: 26 (26½, 27, 27½, 27½)", [66 (67.3, 68.5, 70, 70) cm]

SPECIAL STITCHES

hdc2tog = [Yarn over, insert hook in next st, yarn over, draw yarn through st] twice, yarn over, draw yarn through all loops on hook.

BPdc (Back post double crochet) = Yarn over, insert hook from back to front to back again around the post of next st, yarn over, draw yarn through st, [yarn over, draw yarn through 2 loops on hook] twice.

FPdc (Front post double crochet) = Yarn over, insert hook from front to back to front again around the post of next st, yarn over, draw yarn through st, [yarn over, draw yarn through 2 loops on hook] twice.

RIBBING PATTERN (rib patt)

Foundation Row (right side): Dc into fourth ch from hook and into each ch across, turn.

Row 1 (wrong side): Ch 2, skip first st, *FPdc into next st, BPdc into next st; repeat from * across to last 2 sts, ending with FPdc in next st, hdc into top of beginning ch-2, turn.

Row 2: Ch 2, skip first st, *BPdc in next st, FPdc in next st; repeat from * across to last 2 sts, ending with BPdc in next st, hdc into top of beginning ch-2, turn.

Repeat rows 1–2 for pattern.

BACK

Ribbing

With smaller hook, ch 65 (71, 77, 83, 89). Foundation Row (right side): Dc into fourth ch from hook and into each ch across, turn—63 (69, 75, 81, 87) dc.

Work even in rib patt until ribbing measures 2½ [6.4 cm]" from beginning, ending with a wrong side row.

Body

Change to larger hook.

Row 1 (right side): Ch 2 (counts as hdc here and throughout), skip first st, hdc in each st across, turn—63 (69, 75, 81, 87) hdc.

Work even on 63 (69, 75, 81, 87) hdc until piece measures 16½" (42 cm) from beginning, ending with a wrong side row.

Shape Armholes

Slip st in first 9 (11, 13, 15, 16) sts, ch 2, hdc in each st across to last 8 (10, 12, 14, 15) sts rem, turn, leaving remaining sts unworked—47 (49, 51, 53, 57) hdc.

Work even in hdc until piece measures 25 (25½, 26, 26½, 26½)", [63.5 (64.7, 66, 67, 67.3) cm] from beginning, ending with a wrong side row.

Right Shoulder Shaping

Row 1: Ch 2, skip first st, hdc in next 11 (12, 13, 14, 16) sts, turn, leaving remaining sts unworked—12 (13, 14, 15, 17) hdc.

Row 2: Ch 2, skip first st, hdc2tog in next 2 st, hdc in each st across—11 (12, 13, 14, 16) hdc.

Continued...



Please Note: Print this pattern using Landscape Orientation.

Find more ideas & inspiration: www.redheart.com and www.crochettoday.com

©2012 Coats & Clark

RedHeart.com

Work even until piece measures 26 (26½, 27, 27½, 27)”, [66 (67.3, 68.5, 70, 70) cm] from beginning. Fasten off.

Left Shoulder Shaping

Row 1: With right side facing, skip 23 sts to the left of right shoulder shaping, with larger hook, join yarn with a slip st in next st, ch 2, hdc in each st across, turn—12 (13, 14, 15, 17) hdc.

Row 2: Ch 2, skip first st, hdc in each st across to last 2 sts, hdc2tog in last 2 sts—11 (12, 13, 14, 16) hdc. Fasten off.

Bottom Edging

Row 1: With right side facing and smaller hook, join yarn with a slip st in first ch of foundation row, slip st in each ch across. Fasten off.

FRONT

Work same as back until piece measures 22½ (23, 23½, 24, 24)”, [57 (58.4, 59.7, 61, 61) cm] from beginning, ending with a wrong side row, turn.

Left Shoulder Shaping

Row 1: Ch 2, hdc in next 15 (16, 17, 18, 20) sts, turn, leaving remaining sts unworked—16 (17, 18, 19, 21) hdc.

Row 2: Slip st into first 3 sts, ch 2, skip first st, hdc in each st across, turn—14 (15, 16, 17, 19) hdc.

Row 3: Ch 2, skip first st, hdc in each st across to last 2 sts, turn, leaving remaining sts unworked—12 (13, 14, 15, 17) hdc.

Row 4: Ch 2, skip first st, hdc2tog in next 2 sts, hdc in each st across—11 (12, 13, 14, 16) hdc.

Work even in hdc until front measures same as back to shoulders. Fasten off.

Right Shoulder Shaping

Row 1: With right side facing, skip 15 sts to the left of right shoulder shaping, with larger hook, join yarn with slip st in next st, ch 2, hdc in each st across, turn—16 (17, 18, 19, 21) hdc.

Row 2: Ch 2, skip first st, hdc in each st across to last 2 sts, turn, leaving remaining sts unworked—14 (15, 16, 17, 19) hdc.

Row 3: Slip st in first 3 sts, ch 2, hdc in each st across, turn—12 (13, 14, 15, 17) hdc.

Row 4: Ch 2, skip first st, hdc in each st across to last 2 sts, hdc2tog in next 2 sts, turn—11 (12, 13, 14, 16) hdc.

Work even in hdc until front measures same as back to shoulders. Fasten off.

Bottom Edging

Work same as back bottom edging.

SLEEVE (make 2)

With smaller hook, ch 33.

Foundation Row (right side): Dc into fourth ch from hook and into each ch across, turn—31 dc.

Work even in rib patt until piece measures 2½” [6.4 cm] from beginning, ending with a wrong side row.

Change to larger hook.

Row 1 (right side): Ch 2, skip first st, hdc in

each st across, turn.

Work in hdc, increasing 1 st at each end of next row and every other row 7 (11, 13, 18, 18) times; then every 4th row 6 (4, 3, 0, 0) times—57 (61, 63, 67, 67) hdc.

Work even on 57 (61, 63, 67, 67) hdc until sleeve measures 22½ (23½, 23½, 23½, 23½)”, [57 (59.7, 59.7, 59.7, 59.7) cm] from beginning. Fasten off.

Bottom Edging

Work same as back bottom edging.

FINISHING

Sew front to back across left shoulder.

NECKBAND

Row 1: With right side facing, using smaller hook, join yarn with a slip st to neck edge of right shoulder seam, ch 3 (counts as dc), work 65 dc evenly-spaced around neckline; join with slip st to top of beginning ch-3.

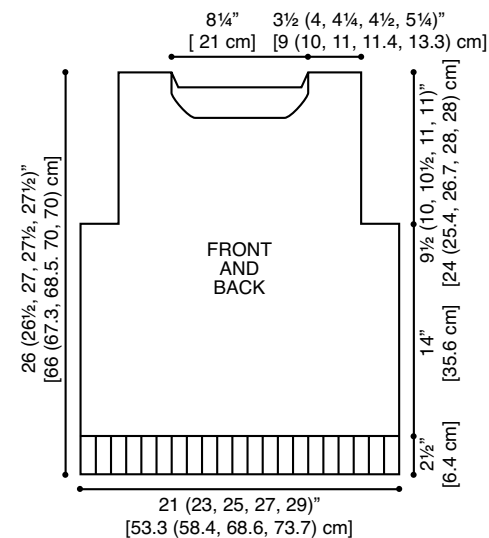
Work even in rib patt until neckband measures 1½” [3.8 cm] from beginning, ending with a wrong side row.

Next Row: Slip st in each st across. Fasten off.

Sew right shoulder seam, including side of neckband. Set in sleeves, using square-indented construction. Sew sleeve and side seams.

ABBREVIATIONS

ch = chain; **dc** = double crochet; **hdc** = half double crochet; **mm** = millimeters; **sc** = single crochet; **st(s)** = stitch(es); **[]** = work directions in brackets the number of times specified; **()** = work directions in parentheses into specified st or sp; ***** or ****** = repeat whatever follows the * or ** as indicated.



Please Note: Print this pattern using Landscape Orientation.

Find more ideas & inspiration: www.redheart.com and www.crochettoday.com